

# IMPACK HYBRID Series

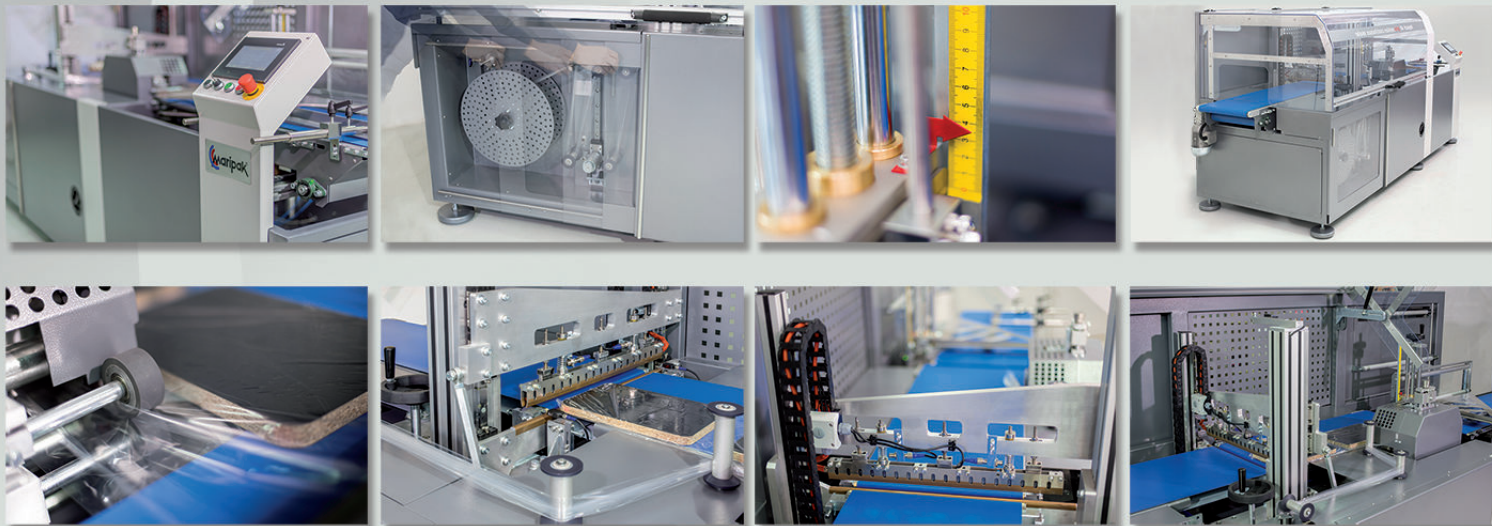
Fully automatic continuous sealer packaging machines

*PackagingIntelligence*



# IMPACK HYBRID Series

Fully automatic continuous sealer packaging machines



## Technical Specifications

	Impack Hybrid 40	Impack Hybrid 60	Impack Hybrid 80
Sealer Opening: 400mm (16")	Cross Sealer Length: 540mm (21")	730mm (29")	930mm (37")
Max. Speed: 30mt/min	Conveyor Belt Width (D): 400mm (16")	600mm (24")	800mm (31")
Max. Cycle: 40 packs/min*	Max. Film Width: 700mm (28")	1000mm (39")	1100mm (40")
Max. Roll Diameter: Ø 270mm (11")	Installed Power: 400V-3Ph, 6A, 4,3kW	400V-3Ph, 6A, 4,3kW	400V-3Ph, 8A, 6,5kW
Working Height: 860mm (+50mm) (34")	Average Consump.: 2,1kW	2,1kW	4,5kW
Film Types: 7-40 PO, PP " V " Knife 40-80 PE, OPP " W " Knife	Dimens. (AxBxC): 1500x3300x1700mm (59x130x67")	1850x3300x1700mm (73x130x67")	2000x3850x1800mm (79x152x71")
Color: Mixed grey + RAL7010 + RAL7015	Palletized Size (AxBxC): 1700x3500x1850mm (67x138x73")	2050x3500x1850mm (81x138x73")	2200x4050x1850mm (87x159x73")
	Weight (Net / Gross): 1100 / 1250 kg (2425 / 2756 lbs)	1250 kg / 1400 kg (2756 lbs / 3086 lbs)	1450 kg / 1650 kg (3197 lbs / 3638 lbs)

\* For DIN A4 form and HYBRID 60 series real working speed depends on the product dimensions and the film type.

## Advantages:

- Continuous side sealer provides unlimited length packaging ability
- Very fast and flawless sealing property by Servo driven vertical sealer
- Customized design and strengthened mechanic properties for high products
- Easy to integrate with the production lines directly
- Recordable and re-callable temperature and position adjustments

## Features:

- Automatic length detection by sensor synchronized with encoder control
- User-friendly colorful touch screen operator panel
- Automatic packaging film drive with tension control
- Automatic trim winder with tension control
- Feeding frequency control by sensor detection and PLC command

## Sealing:

- Alternative sealing blade structures for various packaging material
- Center-Seal property provides accurate and linear sealing line
- Adjustable precision and pressure on cutting and sealing force
- PID controlled sealing temperature inserted by touch panel
- Product clearance control under seal bar by sensor

## Flexibility:

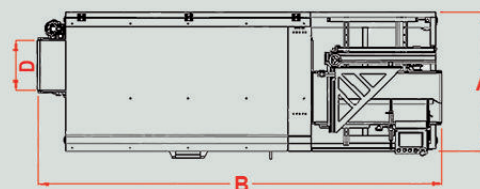
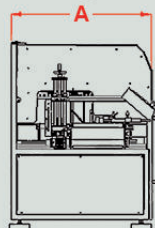
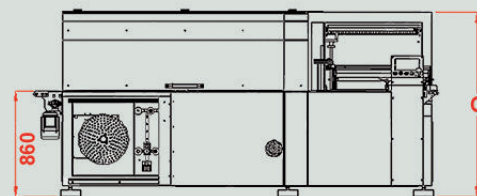
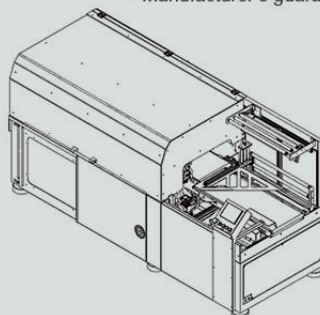
- Various language options and adaptable touch keyboard
- Memory Receipt property for prompt adjustments
- Easily adjustable for varying product sizes and capacity needs
- Perfect sealing blade design compatible with broad range of thickness

## Optional

- Printed film applicability by marker detection sensor and programming
- Ability to use single layer flat film by center-folding unit
- Ability to control additional conveyors by inverters
- Ability to stabilize and pressurize unsteady products by top-pressure cylinder
- Ability to work without compressed air requirement
- Linking Belt (3 bar compressed air is require)

## Quality:

- ISO9001 quality standards with the relevant norm's confirmation
- World-wide brands for all mechanical, electrical and pneumatic components
- CE certifications, complies with the latest CE directives
- One year warranty on non-wearable parts (expandable)
- Manufacturer's guarantee for spare part stock availability up to 5 years



R2 EN